



**HASCON
ENGINEERING®**

AIR FILTRATION SYSTEMS & VENTILATION

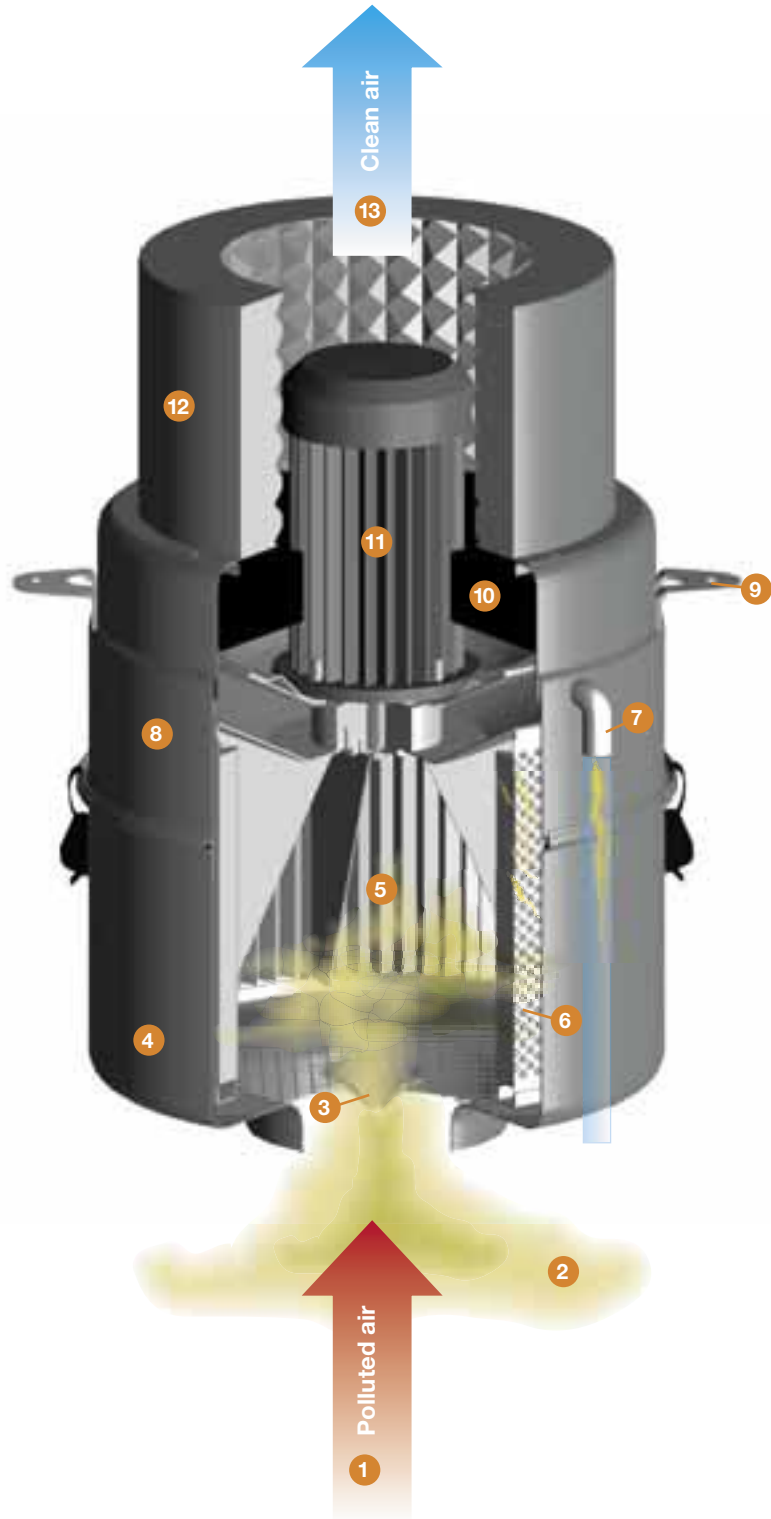


CleanMist® and FEF

Centrifugal filters for oil fogs and
electrostatic filters

A cleaner world.

- 1 Inlet
- 2 Oil fog
- 3 Flow diffuser
- 4 Lower body
- 5 Filtering panels
- 6 Venturi drilled sheetmetal wheel (Patented)
- 7 Drain tube
- 8 Upper body
- 9 Bracket for fastening through supports
- 10 Inner silencer
- 11 Motor
- 12 Silencer
- 13 Clean air output



Operation

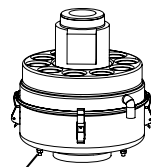
Filter body, divided into two parts, eases service operations; the inlet is provided with a mesh to avoid aspiration of solid materials and a conic diffuser for uniforming distribution of fogs within the wheel. Fog and vapour particles are centrifuged at high speed inside the wheel and, crossing the filtering panels, undergo a coalescence effect becoming small drops which, joined in a pressure flow, are discharged with the specific drainage.

Cleaned air is discharged in the environment, passing through the upper part of the filter.

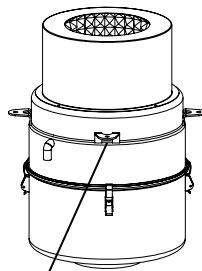
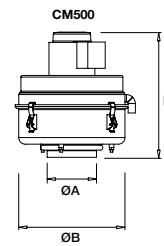
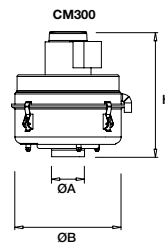
The CleanMist® range can meet all your oil fogs filtering requirements thanks to:

- **Efficiency**
Up to 99%
- **Low noise**
68÷75 dBA depending on the model
- **Maintenance**
Limited, thanks to the self-cleaning wheel
- **Simple installation**
Wide range of support frames
- **Recycle of processed oil**
Pressurized oil drainage
- **Quick delivery**
- **Custom solutions**
Three filtering stages
60 Hz versions
Customization according to customer requirements
Special colours
- **Technical advice**
Technical advice for choosing the most suitable solution - in technical and budget terms
- **Service**
Turnkey delivery, if required
Planned maintenance by our skilled technicians
- **Research and development**
Solid Works 3D
Cosmos finite element analysis
Room for performing capacity, absorption, vibration, noise and filter load loss tests

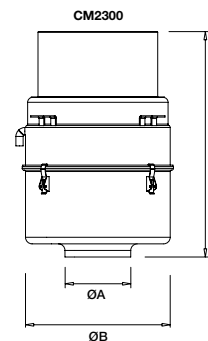
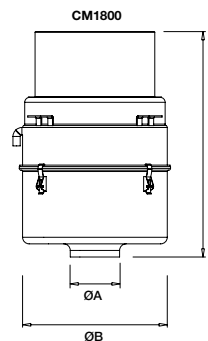
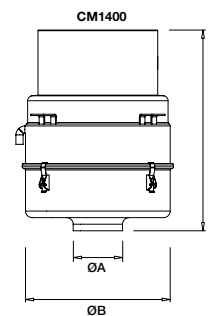
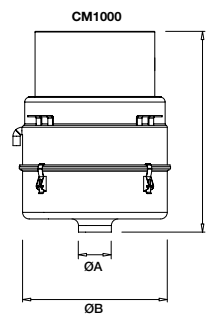
The CleanMist® range



For fixing no. 3 pins M8 on Ø 250 mm for models CM 300 and CM 500



For fixing no. 4 holes Ø12 on Ø 515 mm for models CM 1000÷2300



CODE	Capacity airflow	Motor kW	Noise at 1.5 mt	Weight	Fog inlet	Dimensions	
	m³/h	230/400 V	dBA	Kg	Ø A mm	Ø B mm	H mm
CM300	300	0,55	65	15	100	323	380
CM500	500	0,55	65	15	150	323	380
CM1000	1000	1,5	74	33	100	440	610
CM1400	1400	1,5	74	33	150	440	610
CM1800	1800	2,2	76	38	150	440	685
CM2300	2300	2,2	76	38	200	440	685

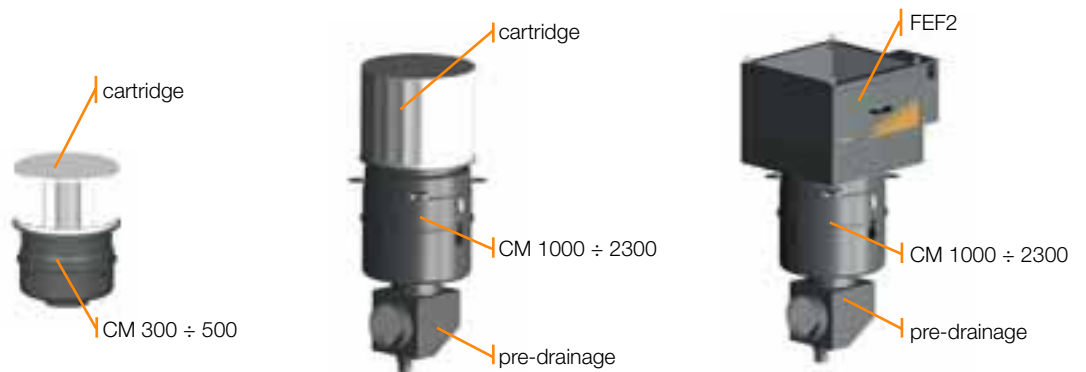
Typical installations on different process with application of filtering accessories.
Our consultancy and technical support service helps customers from product selection to equipment maintenance.



Light processing



Heavy processing

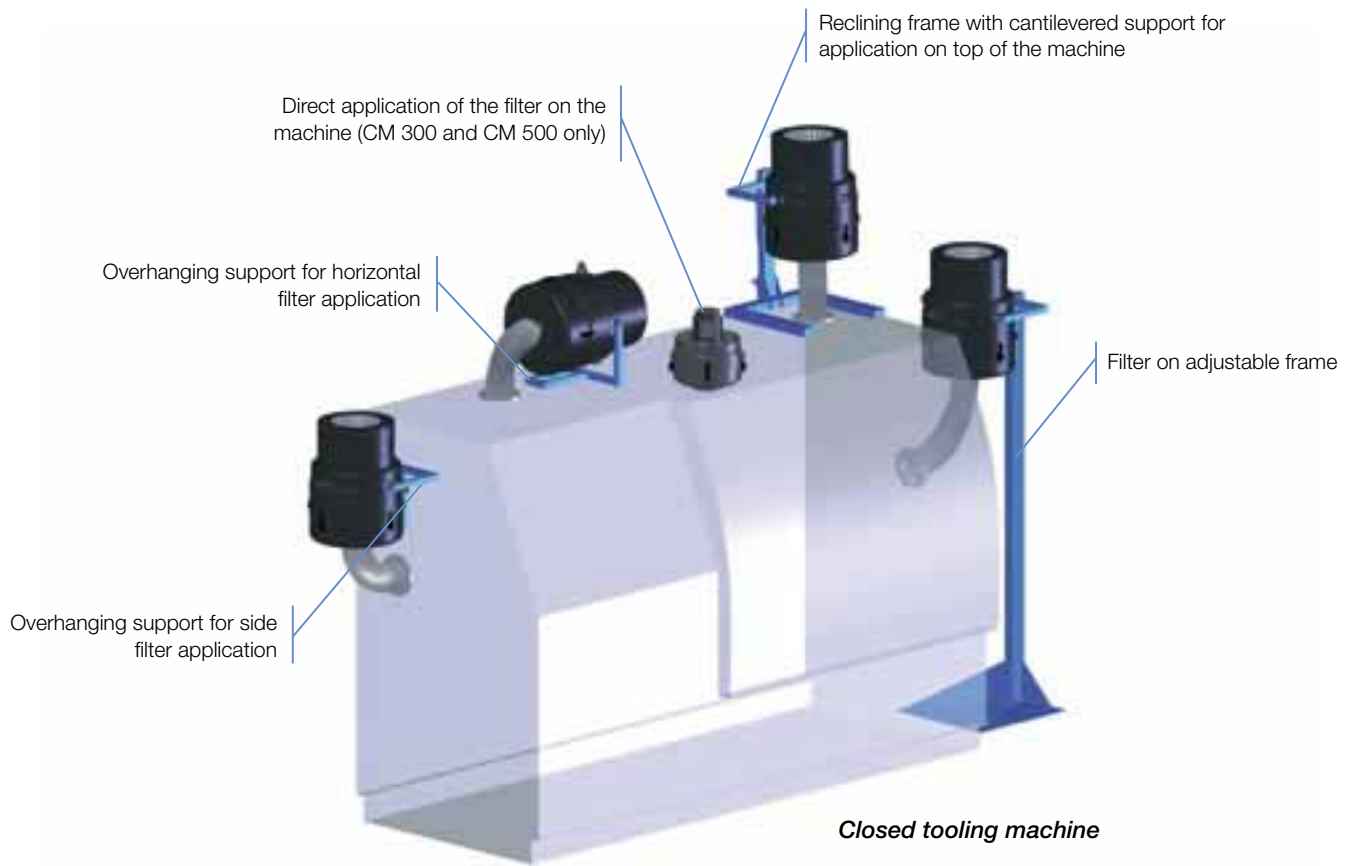


Very heavy processing

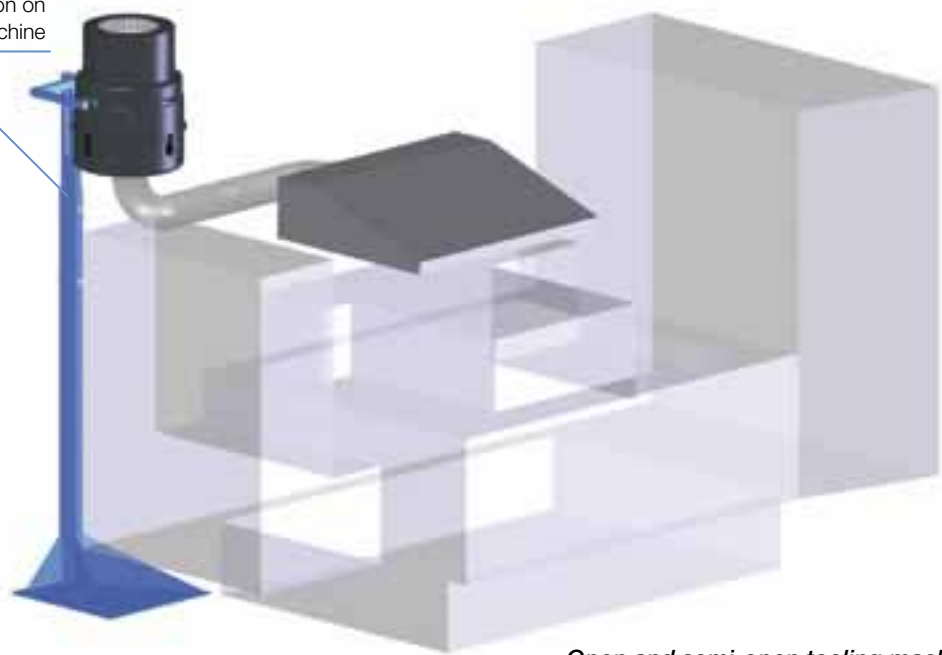


Support systems

CleanMist® design provides for specific support systems to ease installation of the filter on any kind of equipment.



Adjustable frame for filter application on open tooling machine



Final Electrostatic Filter

The FEF (Final Electrostatic Filter) operates according to the principle of ionization of polluting particles. The air which exits the CleanMist® filter passes through a “ionizing” section where particles up to 0.03 microns receive a strong electric charge.

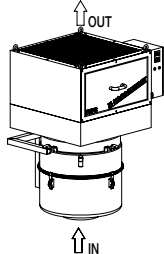
The air flow passes through a second “collecting” section made of plates with opposite electric charge. Ionized polluting particles are attracted by the plates, sticking to them.

Treated air is discharged in the environment with 99% of impurities removed.

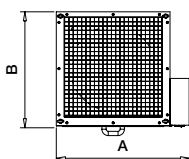
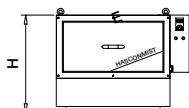


CODE	For CleanMist	Max airflow m³/h	Volt	Weight Kg	A mm	B mm	H mm
FEF2	CM 1000/2300	2300	220	32	550	570	420
FEF3	CM 1000/2300	2300	220	52	1050	550	550

FEF2

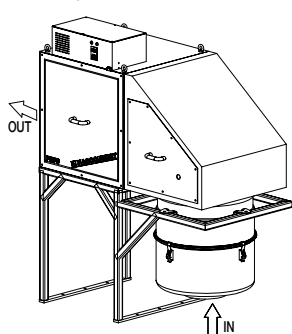


FEF 2 and centrifugal filter with overhanging support

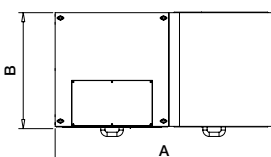
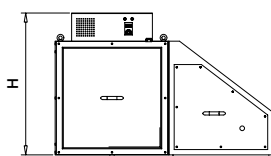


Heavy processing

FEF3



FEF 3 and centrifugal filter with frame for electrofilter



Very heavy processing



HASCON ENGINEERING S.p.A.

Via S.Bernardino, 131
20025 LEGNANO (MI) - ITALY

Tel. +39 0331 52.74.38 - 39

Fax: +39 0331 52.74.84

www.hascon.it

ISO 9001 certified company

A cleaner world.