



holding system

C A T A L O G

Head office

ISRAEL
NOGA Engineering Ltd.

Tel: 972-4-9808080
Fax: 972-4-9808638
noga@noga.com
www.noga.com

Sales offices

ISRAEL
NOGA Tools

Tel: 972-9-835-3243
Fax: 972-9-835-3307
nogatools@nogatools.co.il

HOLLAND
NOGA Tools B.V

Tel: 31-26-3194636
Fax: 31-26-3194637
info@nogatools.nl

JAPAN
NOGA Japan Ltd.

Tel: 81-48-7771733
Fax: 81-48-7766740
info@noga.co.jp

U.S.A
NTC

avi@noga.com
www.noga.com

CASEE006 DESIGN: ARI RON PHOTOGRAPHY: R. LEVINSKY PRINTED IN ISRAEL





All NOGA products meet the strict requirements of ISO9001 and ISO14001.

We invite you to visit our web site: www.noga.com for more information.

© Copyright 2005 by NOGA Engineering Ltd.

All rights reserved. No part of this publication may be reproduced, transcribed, stored in an electronic retrieval system, translated into any language or computer language, or be transmitted in any form whatsoever without the prior written consent of the publisher.



CONTENTS

	page
Preface	4
The right choice of a holder	5
Articulated holders FAT (Fine Adjustment Top)	6 - 7
Articulated holders FAB (Fine Adjustment Base)	8 - 9
PH holders FAT	10 - 11
PH holders FAB	12 - 13
Specialty holders	14 - 15
Sets and indicators	16 - 17
Bases	18 - 19
Modular holders	20 - 21
Comparator stands and concentromat	22 - 23



holding system

NOGA is proud to present its new line of holding systems.

These state of the art mechanical holders, are divided into two groups, ARTICULATED and PH, both designed to hold dial and test indicators, as well as many other components.

NOGA holders are also used in many other fields such as: machine construction, medical instruments, photography, light, sound and more.

NOGA holders consist of three main parts:
Arms, base and top (See diagram on right).

NOGA ARTICULATED HOLDERS - articulated arms, with central locking mechanism.

NOGA PH HOLDERS - post and arm, with unique 3 points clamp.

Each group of holders consists of four sizes of arms, so you can always find one to suit your needs.

NOGA holders have fine adjustment mechanism, whether it is on the top (FAT), or at the base (FAB).

The plastic fine adjustment and the 2SM are now replaced by our top fine adjustment which is made of metal, and is the only fine adjustment to hold 6mm, 8mm, 3/8", dove tail and back lug.

NOGA SPECIALTY HOLDERS - eight unique individual items. These are well known patented items.

NOGA SETS - four sets of holders and indicators.

NOGA BASES - eight different magnetic bases from 320 N to 1300 N, a 350 N vacuum base, and five clamps.

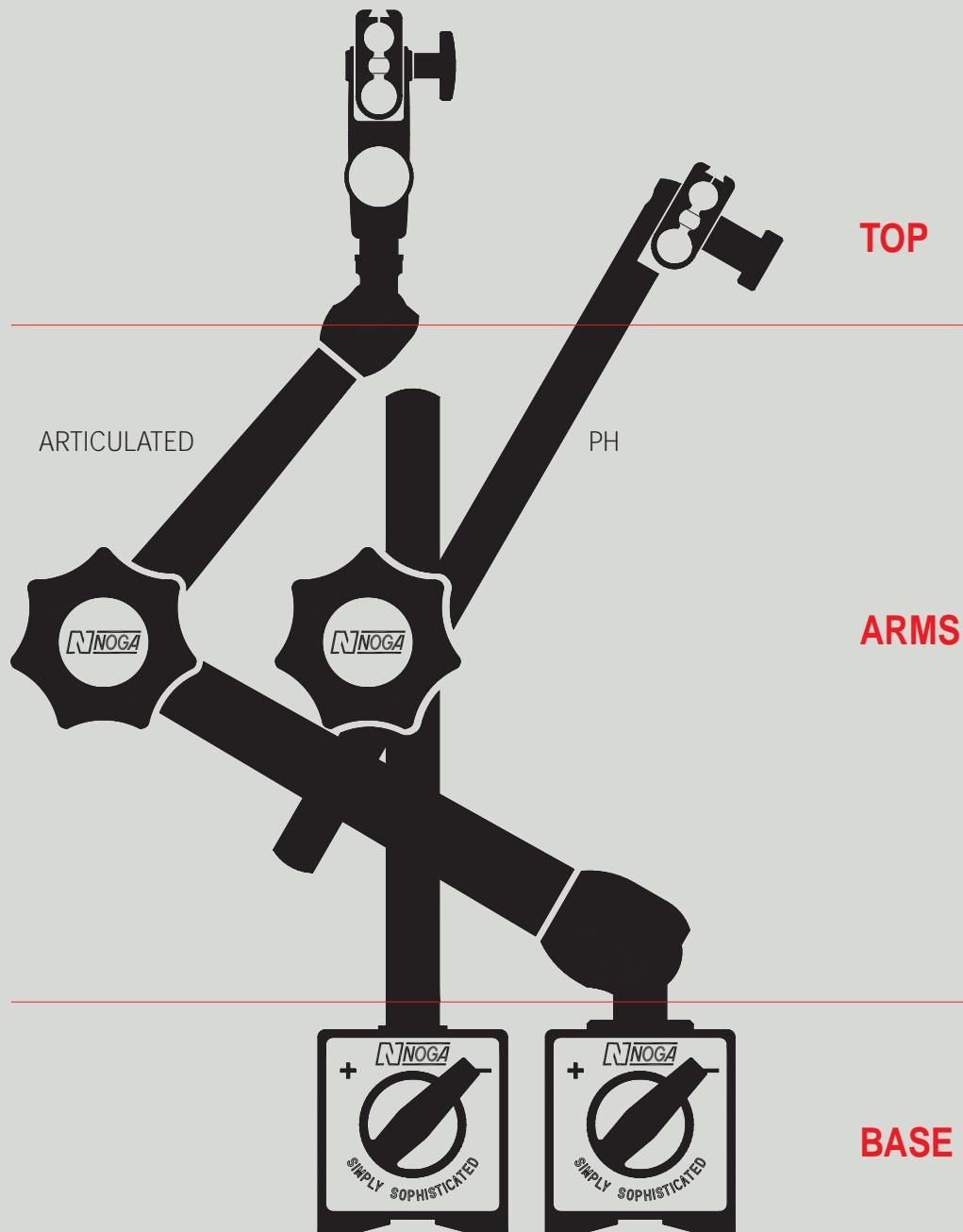
NOGA MODULAR HOLDERS - another useful addition to this catalog is the modular holders section which allows the user almost unlimited range of holding applications.

NOGA COMPARATOR STANDS and CONCENTROMAT - all are ground to 2 microns.



THE RIGHT CHOICE OF A HOLDER

- Choose the kind of arms needed, articulated or PH (post holder).
- When zero-setting is very important, use fine adjustment at base (FAB). In all other cases use fine adjustment on top (FAT).
- Decide what kind of base you want. Magnetic, vacuum or others.
- Depending on the type of indicator and job to be inspected, choose either standard clamp or NOGA unique swivel clamp.
- Consult the relevant section in this catalog to choose the right holder.



holding system



NF61003

DG61003

MG61003

MA61003

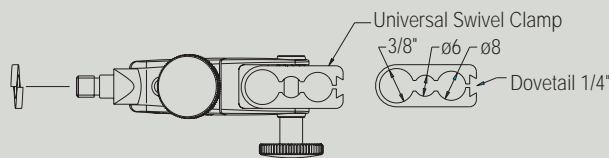
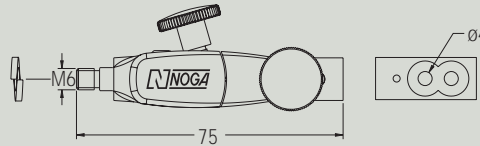
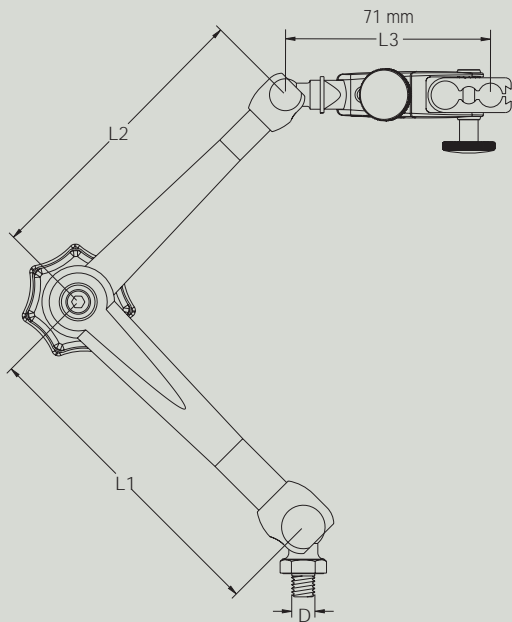


ARTICULATED HOLDERS FAT

NOGA articulated holders with fine adjustment on top

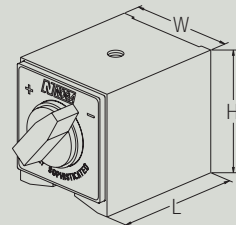
Due to its stability and ease of use, NOGA articulated holder has become the industry most wanted.

- New fine adjustment on top with universal swivel clamp.
- Holds 6mm, 8mm, 3/8", dovetail and back lug.
- Central locking mechanism with NOGA designed spring loaded bearing.
- Five axis holder.
- Powerful on/off magnetic base.
- Instant fixation in any position.
- Fast and easy to set up gauges into required position.
- Black finished arms.



FA1500

FA1510



see page 18

All measurements are in mm unless otherwise mentioned.

Order no.	Holder		Arm length			Magnet			
	Bottom thread	Weight	Bottom arm	Top arm	Total	Force	Dimension		
	D	[Kg]	L1	L2	L1 + L2 + L3	[N]	W	L	H
NF61003	Ext. M5	0.520	56	51	178	320	30	40	35
NF60103	Ext. M5	0.320	56	51	178	-	-	-	-
DG61003	Ext. M8	1.350	110	101	282	800	50	60	55
DG60103	Ext. M8	0.340	110	101	282	-	-	-	-
MG61003	Ext. M8	1.900	133	113	317	800	50	60	55
MG60103	Ext. M8	0.900	133	113	317	-	-	-	-
MA61003	Ext. M10 x 1.25	5.100	326	242	637	1300	50	120	55
MA60103	Ext. M10 x 1.25	3.100	326	242	637	-	-	-	-

holding system



MG10503

DG10503

NF10403

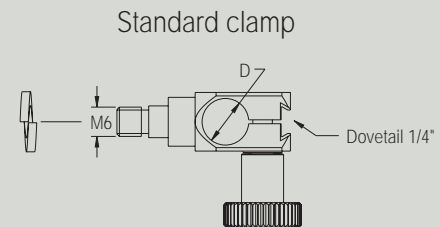
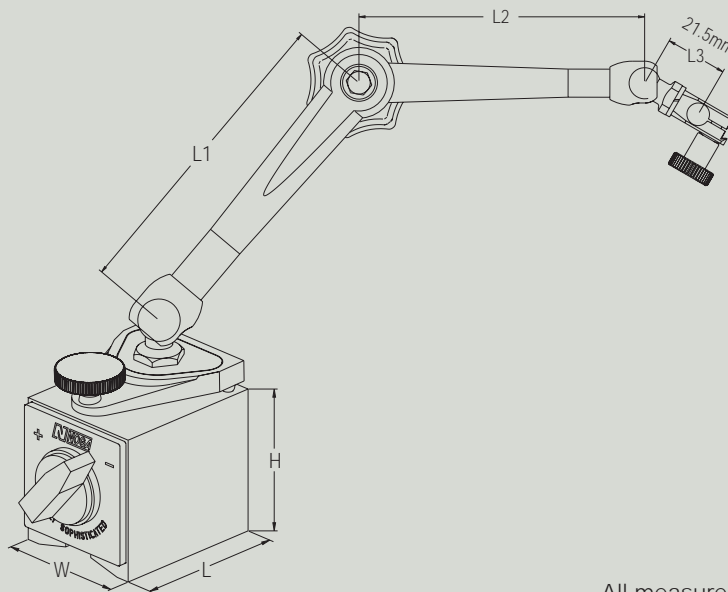


ARTICULATED HOLDERS FAB

NOGA articulated holders with fine adjustment at base

NOGA has developed a unique fine adjustment mechanism which is placed on the magnetic base. This mechanism allows the hand to rest on the base rather than on the clamp of the indicator. Zero-setting becomes faster than with any other mechanism.

- Unique single direction fine adjustment at base.
- Powerful on/off magnetic base.
- Holds 8mm or 3/8" and dovetail.
- Central locking mechanism with NOGA designed spring loaded bearing.
- Five axis holder.
- Instant fixation in any position.
- Easy to set up gauges into required position.
- Black finished arms.



All measurements are in mm unless otherwise mentioned.

Holder		Standard clamp		Arm length			Magnet			
Order no.	Weight	Standard clamp	Order no.	Bottom arm	Top arm	Total	Force	Dimension		
	[Kg]	D		L1	L2	L1 + L2 + L3	[N]	W	L	H
NF10403	0.520	8	FA1100	56	51	128.5	320	30	40	35
NF10433	0.520	3/8"	FA1120	56	51	128.5	320	30	40	35
DG10503	1.400	8	FA1100	110	101	232.5	800	50	60	55
DG10533	1.400	3/8"	FA1120	110	101	232.5	800	50	60	55
MG10503	1.900	8	FA1100	133	113	267.5	800	50	60	55
MG10533	1.900	3/8"	FA1120	133	113	267.5	800	50	60	55

holding system



PH6600

PH6800

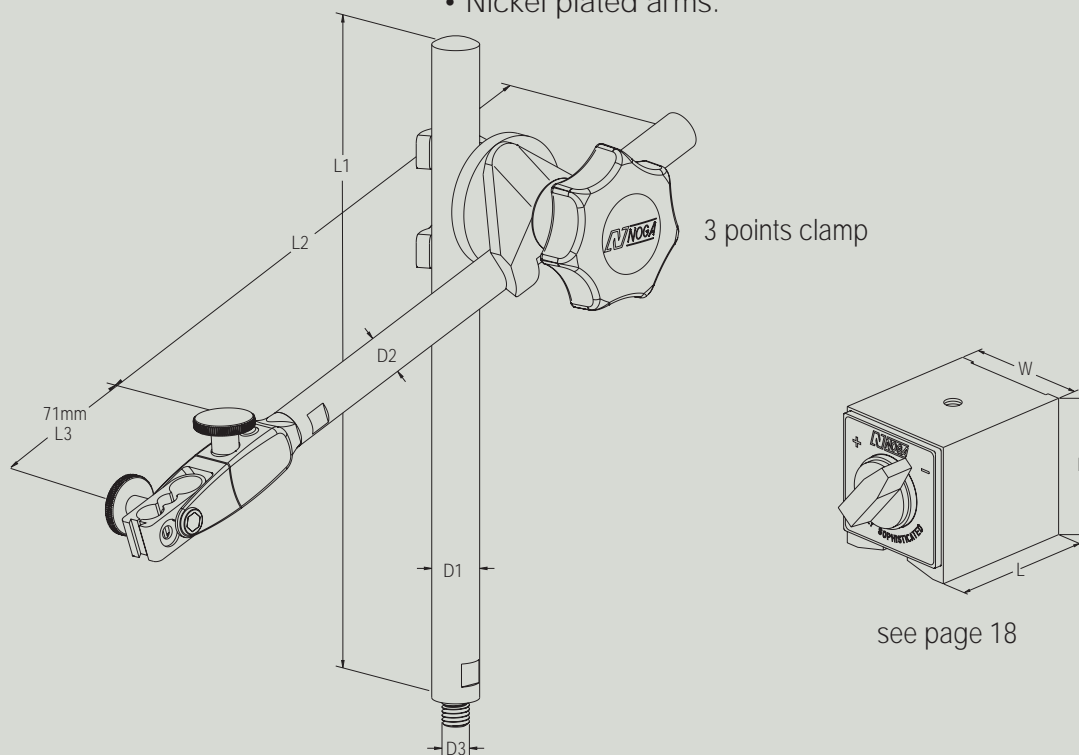
PH6400



NOGA economical holders with fine adjustment on top

NOGA PH (Post Holder) holders are the latest improvement of the traditional indicator holder.

- New fine adjustment on the top with universal swivel clamp.
- Holds 6mm, 8mm, 3/8", dovetail and back lug.
- Powerful on/off magnetic base.
- Strong arm lock by using 3 points clamp.
- Easy to set up gauges into required position.
- Nickel plated arms.



All measurements are in mm unless otherwise mentioned.

Order no.	Holder		Arm length and diameter		Force [N]	Magnet			3 points clamp Order no.
	Bottom thread	Weight [Kg]	Post Dia. (D1) x length (L1)	Arm Dia. (D2) x length (L2)		Dimension			
	D3					W	L	H	
PH6400	M8	1.700	ø14 x 203	ø12 x 175	800	50	60	55	PH0310
PH6410	M8	0.700	ø14 x 203	ø12 x 175	-	-	-	-	PH0310
PH6600	M8	2.300	ø16 x 260	ø16 x 175	1000	50	75	55	PH0312
PH6610	M8	1.070	ø16 x 260	ø16 x 175	-	-	-	-	PH0312
PH6800	M10 x 1.25	3.450	ø18 x 350	ø16 x 210	1300	50	120	55	PH0313
PH6810	M10 x 1.25	1.450	ø18 x 350	ø16 x 210	-	-	-	-	PH0313

holding system



PH3100

PH2040

PH4016

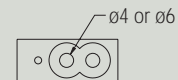
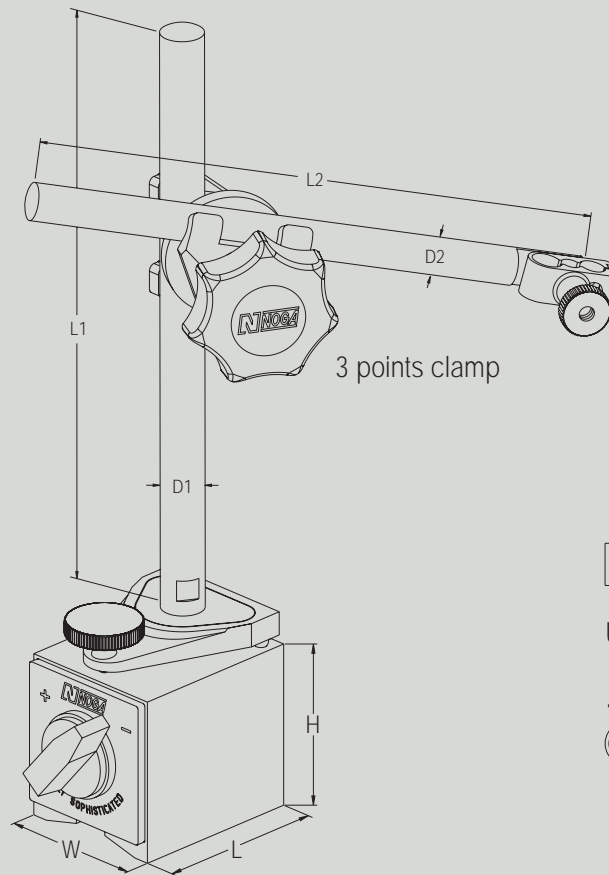


PH HOLDERS FAB

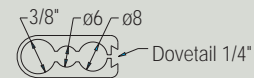
NOGA economical holders with fine adjustment at base

PH holders with NOGA unique fine adjustment at base.

- Single direction fine adjustment at base.
- Powerful on/off magnetic base.
- Universal swivel clamp for all dial and test indicators.
- Holds 6mm, 8mm, 3/8", dovetail and back lug.
- Strong arm lock by using 3 points clamp.
- Easy to set up gauges into required position.
- Nickel plated arms.



Universal swivel clamp



All measurements are in mm unless otherwise mentioned.

Holder		Arm length and diameter		Magnet			3 points clamp	Universal swivel clamp	
Order no.	Weight	Post	Arm	Force	Dimension			Order no.	Order no.
	[Kg]	Dia. (D1) x length (L1)	Dia. (D2) x length (L2)	[N]	W	L	H		
PH3100	0.500	ø 10 x 120	ø 8 x 110	320	30	40	35	PH0315	FA1210
PH2040	1.700	ø 14 x 203	ø 12 x 185	800	50	60	55	PH0310	FA1410
PH4016	2.450	ø 16 x 260	ø 16 x 225	1000	50	70	55	PH0312	FA1410

holding system

NF1015 / NF1018



NF1022



MG71003



NF1021 / NF1024

NF1030 / NF1033

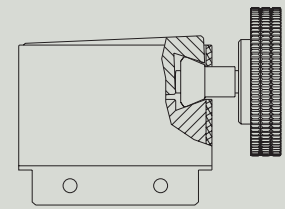


SPECIALTY HOLDERS

In respond to market demand NOGA offers 8 holders with special features.

Order no. Clamp

NF1021	8mm	<ul style="list-style-type: none"> • On/off switchable magnet. • Magnet dimensions - W30 x L40 x H35.
NF1024	3/8"	<ul style="list-style-type: none"> • Magnet force - 320N. • Weight: 0.575 Kg.
NF1030	8mm	<ul style="list-style-type: none"> • Permanent magnet. • Magnet dimensions - W16 x L60 x H32.
NF1033	3/8"	<ul style="list-style-type: none"> • Magnet force - 280N. • Weight: 0.545 Kg.
		<ul style="list-style-type: none"> • 5 axis holder. • Patented 360° fine adjustment at base. • Holds indicator with stem and dovetail. • Central locking mechanism with NOGA designed spring loaded bearing. • Bottom arm - 56mm. • Top arm - 51mm. • Black finished arms.
NF1015	8mm	<ul style="list-style-type: none"> • Used for centering of workpieces.
NF1018	3/8"	<ul style="list-style-type: none"> • Holds indicator with stem or dovetail. • Central locking mechanism with spring loaded bearing. • Bottom arm - 56mm. • Top arm - 51mm. • Centering rod \varnothing 8mm x 40 mm. • Black finished arms. • Weight: 0.345 Kg.
NF1022	universal	<ul style="list-style-type: none"> • Universal fine adjustment, holds: 6mm, 8mm, 3/8", dovetail and back lug.
MG71003	universal	<ul style="list-style-type: none"> • New fine adjustment on top with universal swivel clamp. • Holds 6mm, 8mm, 3/8", dovetail and back lug. • Central locking mechanism with NOGA designed spring loaded bearing. • 5 axis holder. • Powerful on/off magnetic base. • Instant fixation in any position. • Fast and easy to set up gauges into required position. • Black finished arms. • Bottom arm - 163.5 mm. • Top arm - 113 mm. • Bottom thread - Ext. M8. • Magnet force - 800N. • Magnet dimensions - W50 x L60 x H55. • Weight: 1.950 Kg.



360° fine adjustment

holding system

MG6150 Heavy duty holder set

Includes:
MG61003
DG1000



DG6150 Standard holder set

Includes:
DG61003
DG1000



NF6150 Mini holder set

Includes:
NF61003
NF1000 Indicator



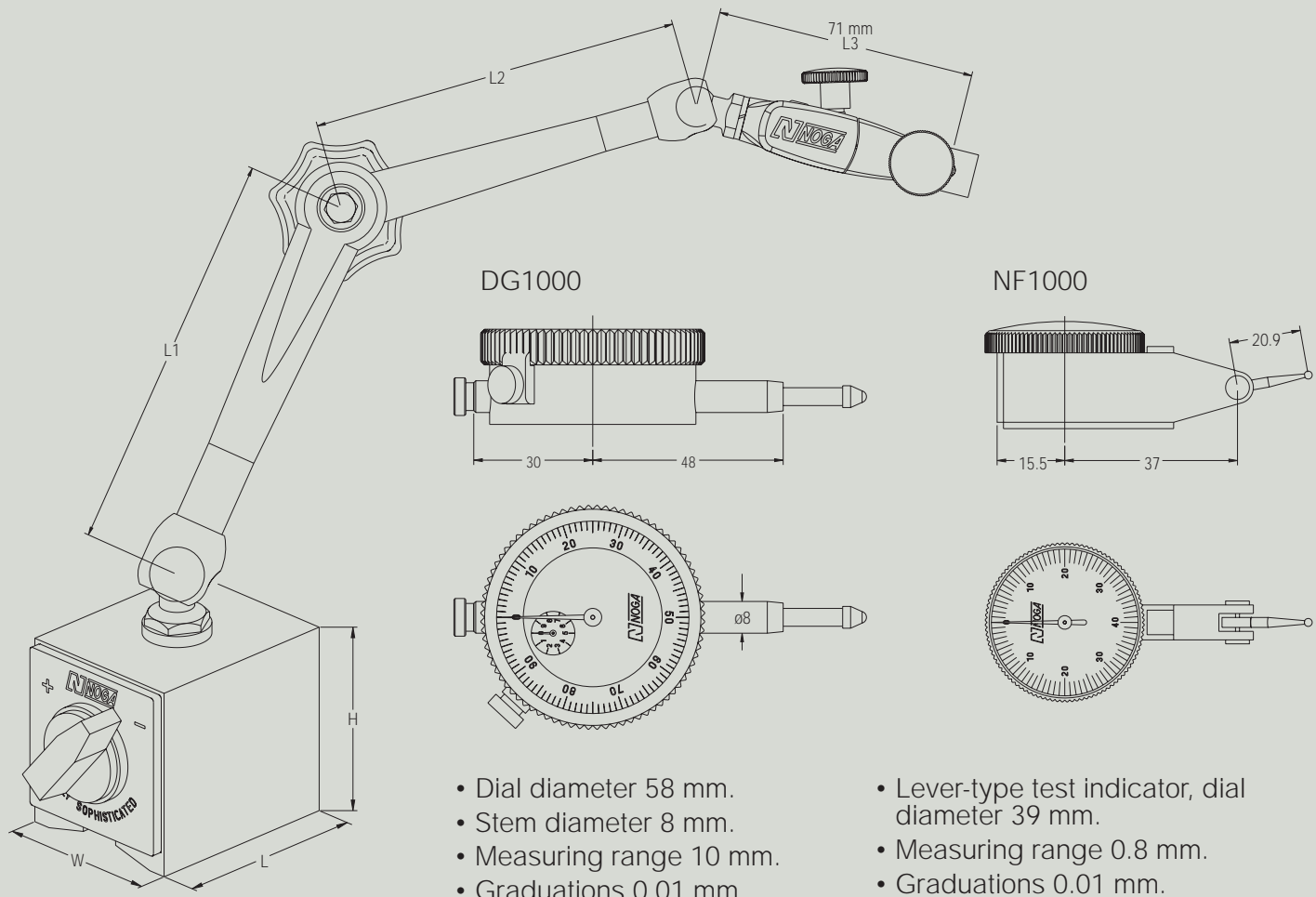
NF1036 Centering set

Includes:
NF1022
NF1000 Indicator



SETS&INDICATORS

NOGA offers four sets combining the most popular holders with the world's best made indicators.



- Dial diameter 58 mm.
- Stem diameter 8 mm.
- Measuring range 10 mm.
- Graduations 0.01 mm.

- Lever-type test indicator, dial diameter 39 mm.
- Measuring range 0.8 mm.
- Graduations 0.01 mm.
- Contact point 2 mm dia., 20.9 mm length.
- Three dovetails for clamping.

All measurements are in mm unless otherwise mentioned.

Order no.	Holder		Arm length			Indicators	Magnet		
	Bottom thread	Weight	Bottom arm	Top arm	Total		Order no.	Dimension	
	D	[Kg]	L1	L2	L1 + L2 + L3		W	L	H
NF6150	Ext. M5	0.600	56	51	178	NF1000	30	40	35
NF1036	-	0.360	56	51	178	NF1000	-	-	-
DG6150	Ext. M8	1.600	110	101	282	DG1000	50	60	55
MG6150	Ext. M8	2.100	133	113	317	DG1000	50	60	55

holding system



DG0039



DG0038



DG0036



NF0037



DG0118



DG3678



NF3778



see page 19



DG0040



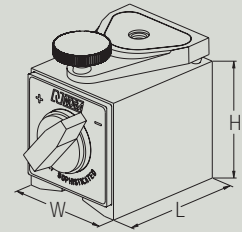
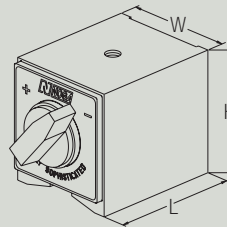
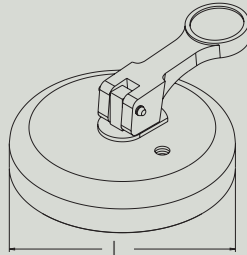
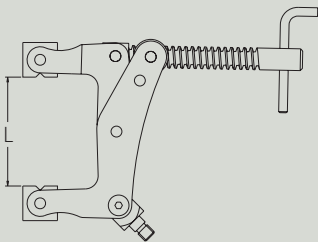
DG1003



BASES

NOGA bases

Eight different magnets ranging from the world's smallest switchable on/off (320N) to a large magnetic base (1300N), a 350N vacuum base and 5 clamps are offered for our customers' choice.



All measurements are in mm unless otherwise mentioned.

Order no.	Type	Weight [Kg]	Force [N]	Thread	W	L	H
NF0037	On/off magnet	0.230	320	M5	30	40	35
NF3778	On/off magnet with fine adj.	0.250	320	M5	30	40	35
DG0036	On/off magnet	1.000	800	M8	50	60	55
DG3678	On/off magnet with fine adj.	1.100	800	M8	50	60	55
DG0038	On/off magnet	1.270	1000	M8	50	75	55
DG0118	On/off magnet with fine adj.	1.380	1000	M8	50	75	55
DG0039	On/off magnet	2.000	1300	M10 x 1.25	50	120	55
DG1003	On/off magnet multi thread	1.350	1000	M6/8/10/12 10 x 1.25	50	75	55
DG0040	Vacuum base	0.400	350	M8	-	∅ 92	-
MA0322	4" clamp	1.150	-	Ext. M10 x 1.25	-	100	-
MA0320	4" clamp	1.160	-	Int. M10 x 1.25	-	100	-
MG1006	3" clamp	0.570	-	Ext. M8	-	75	-
MG1003	3" clamp	0.600	-	Int. M8	-	75	-
MG0125	3" clamp with plastic cover	0.600	-	Int. M8	-	75	-

holding system



NF60003

DG60003

MG60003

MG70003

MA60003



MODULAR HOLDERS

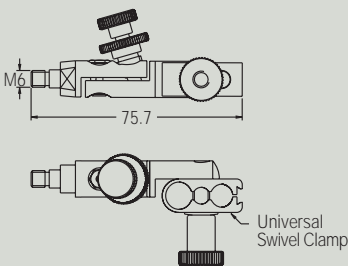
Five different sizes of articulated arms are offered for a wide range of applications.

Choose the arms that fit your needs.

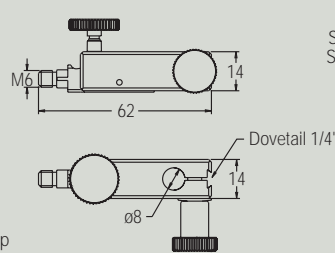
A number of accessories are shown below.

Custom-made accessories are available upon request. Minimum quantity 500 pcs.

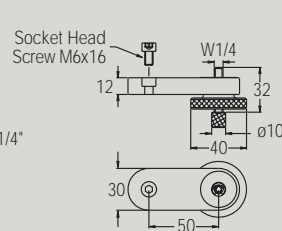
2SM fine adjustment
FA1400



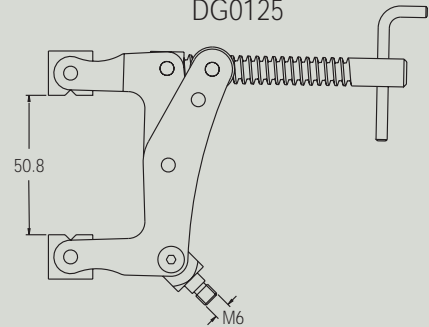
Plastic fine adjustment
FA1300



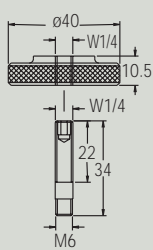
Camera holder
MA0125



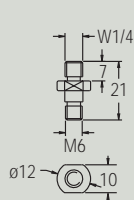
2" clamp
DG0125



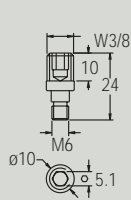
Camera nut
AD6013



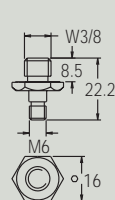
1/4" x M6 adaptor
AD6010



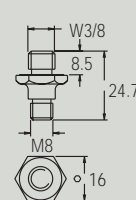
3/8" x M6 adaptor
AD6030



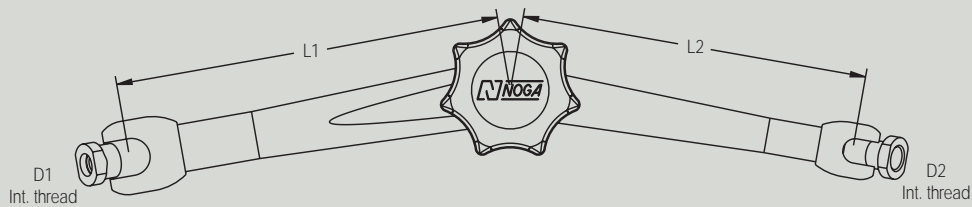
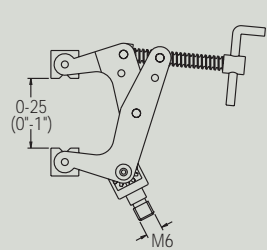
3/8" x M6 adaptor
AD6031



3/8" x M8 adaptor
AD8030



1" clamp
NF0125



All measurements are in mm unless otherwise mentioned.

Order no.	Weight [Kg]	Int. thread		Arms length	
		D1	D2	L1	L2
NF60003	0.210	M6	M6	56	51
DG60003	0.250	M6	M6	110	101
MG60003	0.750	M8	M6	133	113
MG70003	0.800	M8	M6	163	113
MA60003	3.000	M10 x 1.25	M6	326	242



holding system

NOGA high quality comparator stand holds indicators and probes for thickness and comparator work.

NOGA comparator stands

- Microlapped plates 2 microns flatness to DIN876 grade 00.
- Plates are made of hardened chrome rich steel. High wear resistance.
- Base and indicator holder are made of finest casting.
- Measures microns.
- 25 mm dia. Stainless steel post.
- Accepts all electronic and standard gauges.
- Polyurethane moldings under base prevent slipping.



SP6400



SP6200

All measurements are in mm unless otherwise mentioned.

Order no.	Total height	Plate	Plate size	Column	Max. measuring height	Cross arm	Weight [Kg]
SP6200*	205	Serrated anvil face	78 x 78	ø 25	120	74	4
SP6400	193	Flat anvil face	Dia. 50	ø 25	100	74	2.4

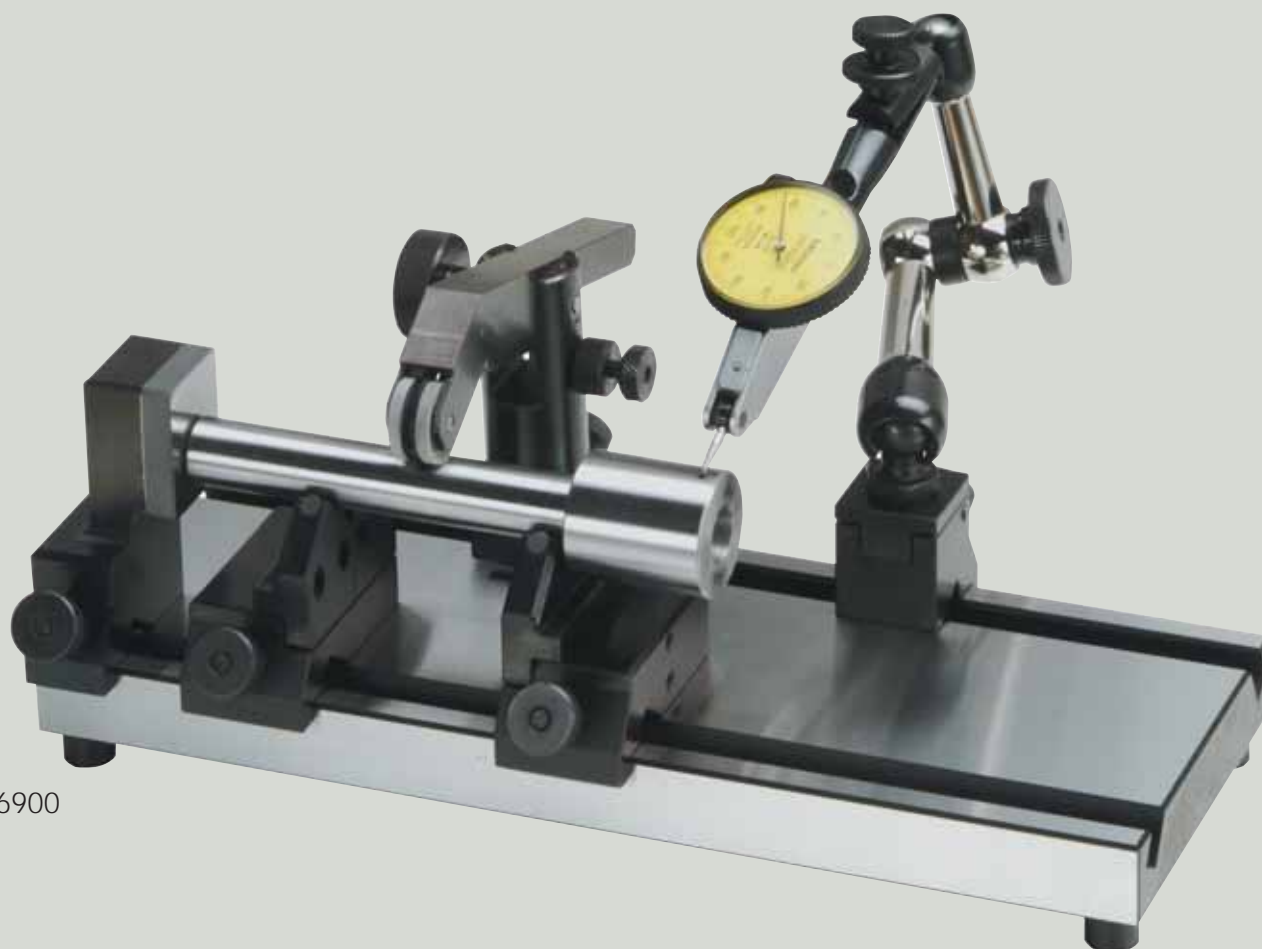
* Available with fine adjustment (SP6300), available with ceramic plate and fine adjustment (SP6100).



COMPARATOR STANDS and CONCENTROMAT

NOGA concentromat

The Concentromat is a universal gauge for checking the concentricity of round parts having diameter of 1mm to 25mm. Used for checking external diameter, internal diameter and curved surface.



SP6900

Includes:

- Hardened and ground stainless steel plate.
- Two moving "V" blocks each with two replaceable carbide pins.
- Carbide stop, which is flat and perpendicular to the "V" blocks.
- Scrolling device.
- Retractable articulated arm for test indicator holder. (NF1000 test indicator not included).
- All parts can be easily moved and set along the base, enabling parts of different geometries to be tested.